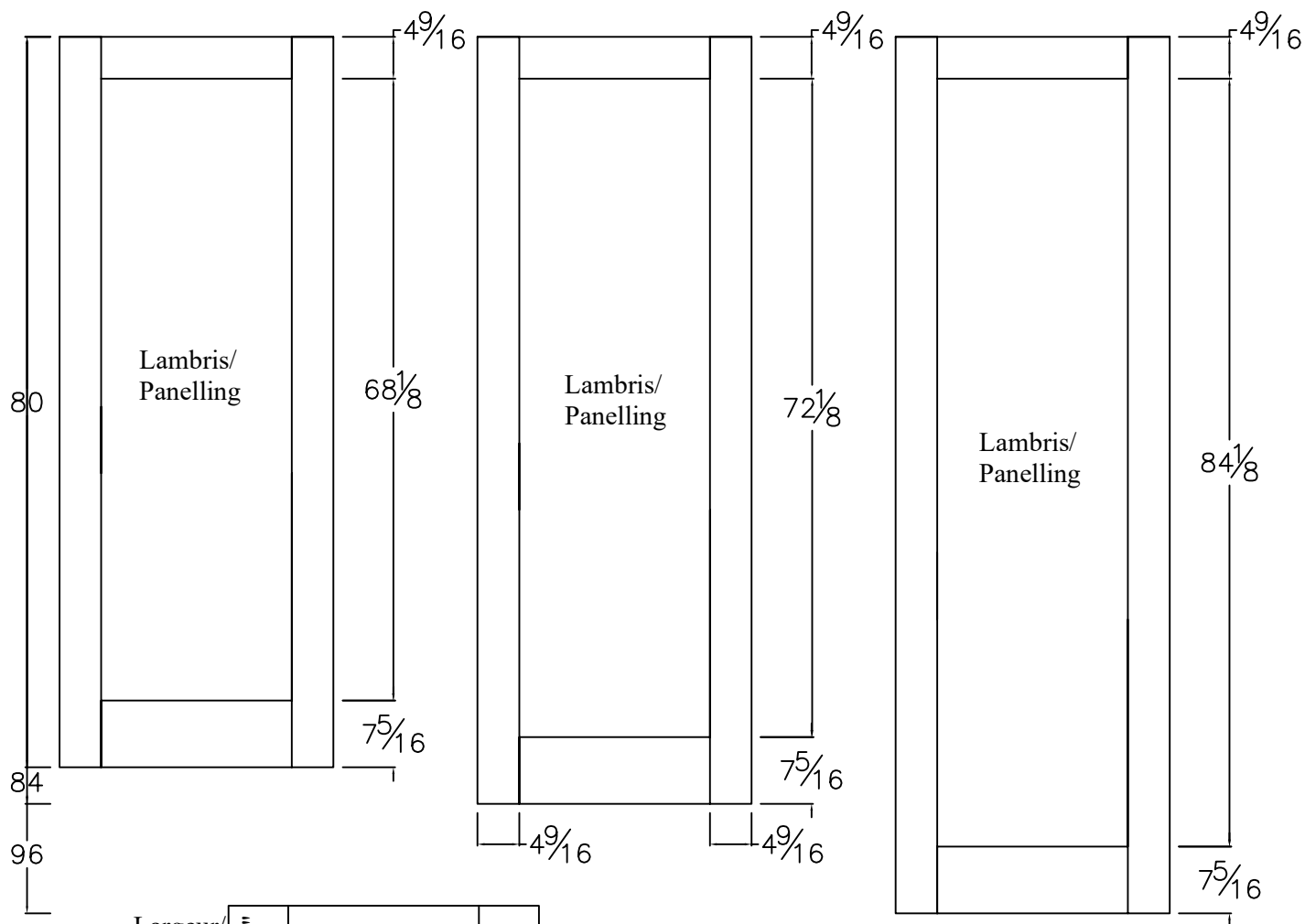


# Dessin technique / Technical drawing

no.8571



Largeur/ Width	4-9/16"	4-9/16"
36"		26-7/8"
34"		24-7/8"
32"		22-7/8"
30"		20-7/8"
28"		18-7/8"
26"		16-7/8"
24"		14-7/8"
22"		12-7/8"
20"		10-7/8"
18"		8-7/8"
16"		6-7/8"

